

# GENēRICO

Entertainment Products

---

## MW363

---

MINI MOVING HEAD WASH



USER MANUAL



## INDEX

---

|                                |    |
|--------------------------------|----|
| SUMMARIZATION                  | 3  |
| SAFETY                         | 4  |
| OVERVIEW & PHYSICAL DIMENSIONS | 5  |
| MAIN FEATURES                  | 6  |
| DMX CONTROL FUNCTION           | 7  |
| MENU MAP                       | 8  |
| FUSE REPLACEMENT               | 9  |
| PHYSICAL INSTALLATION          | 10 |
| XLR                            | 11 |
| TROUBLESHOOTING                | 12 |
| TECHNICAL SPECIFICATIONS       | 13 |

PLEASE READ THIS MANUAL PRIOR TO OPERATING THE FIXTURE.



## SUMMARIZATION

---

THANK YOU FOR PURCHASING OUR MW363 MINI MOVING HEAD WASH FIXTURE. PLEASE READ THESE INSTRUCTIONS CAREFULLY BEFORE OPERATING THE FIXTURE. OPERATE ACCORDING TO THESE INSTRUCTIONS TO AVOID ANY POSSIBLE DAMAGE AND ACCIDENTS CAUSED BY MISUSE.

THIS PRODUCT USES 36 HIGH POWER 3 WATT RGB LEDS. INTERNATIONAL STANDARD DMX 512 SIGNAL.

### **PACKING LIST**

MW363 MINI MOVING HEAD WASH FIXTURE

POWER CABLE

DMX CABLE

(2) MOUNTING BRACKETS

USER MANUAL



## SAFETY

---

### SAFETY NOTES

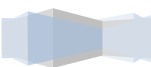
! CHECK WITH TRAINED TECHNICIAN BEFORE ATTEMPTING ANY REPAIR. MOST REPAIRS SHOULD BE PERFORMED BY A QUALIFIED REPAIR TECHNICIAN TO AVOID DAMAGING THE UNIT.

! ALWAYS MAKE SURE TO DISCONNECT FROM POWER SOURCE BEFORE MOVING OR ATTEMPTING TO TROUBLESHOOT OR REPAIR.

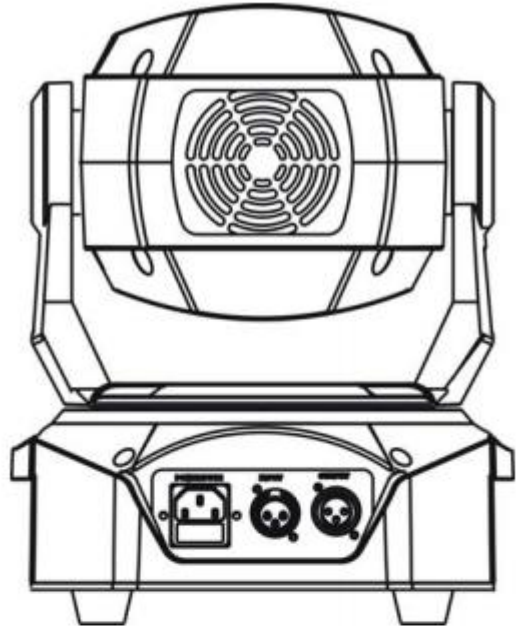
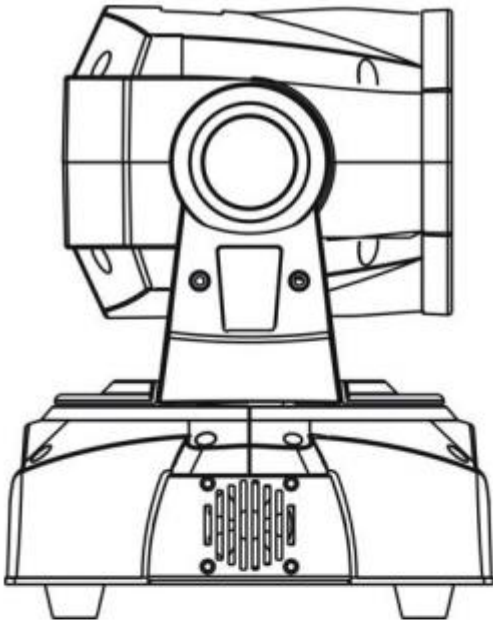
! AVOID DIRECT EYE EXPOSURE TO THE FIXTURE WHEN IT IS ON.

### **SAFETY INSTRUCTION**

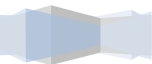
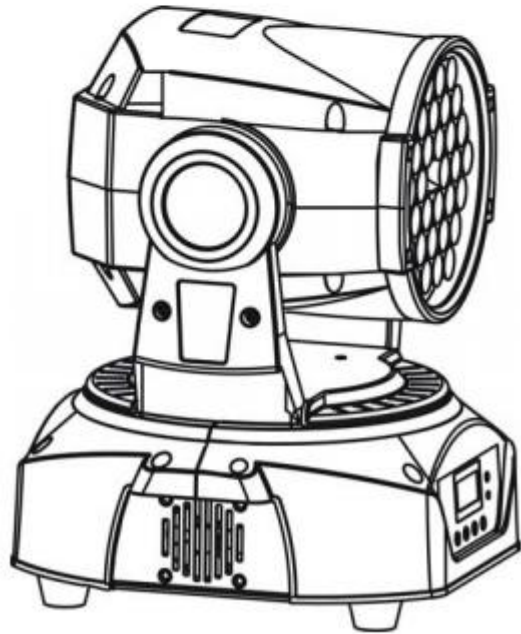
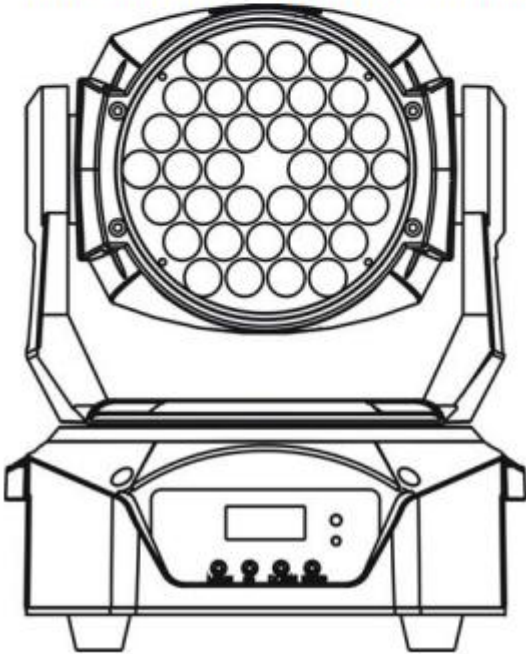
- MAKE SURE THE POWER SUPPLY VOLTAGE IS CONSISTENT WITH THIS FIXTURE. VERIFY THAT VOLTAGE IS IN THE CORRECT RANGE FOR THE OPERATING PARAMETERS OF THIS UNIT.
- BEFORE USING THE FIXTURE, CHECK THAT ALL POWER DISTRIBUTION EQUIPMENT AND CABLES ARE IN GOOD WORKING CONDITION AND RATED FOR THE CURRENT REQUIREMENTS OF ALL CONNECTED DEVICES.
- ALWAYS GROUND (EARTH) THE FIXTURE ELECTRICALLY.
- AVOID ANY IMPACT TO THE FIXTURE WHEN MOVING OR INSTALLING.
- BEFORE INSTALLATION, PLEASE CHECK THAT THE FIXTURE HAS BEEN RECEIVED IN GOOD CONDITION AND HAS NO VISIBLE DAMAGE.
- THIS FIXTURE IS DESIGNED FOR INDOOR USE ONLY (IP20); WORKING TEMPERATURE MUST BE KEPT UNDER 40° C/ 104° F.
- THE FIXTURES MAY BE MOUNTED IN ANY SAFE POSITION (OTHER THAN SIDEWAYS) PROVIDED THERE IS ADEQUATE ROOM FOR VENTILATION. MAKE SURE THERE ARE NO FLAMMABLE OR EXPLOSIVE ITEMS WITHIN 0.5 METERS/ 1.75 FEET.
- THE FIXTURES ON A SERIAL DATA LINK MUST BE DAISY CHAINED IN ONE SINGLE LINE. TO COMPLY WITH THE EIA-485 STANDARD, NO MORE THAN 32 FIXTURES SHOULD BE CONNECTED TO ONE DATA LINK. MAXIMUM RECCOMENDED SERIAL LINK DISTANCE IS 500 METERS / 1640 FEET.

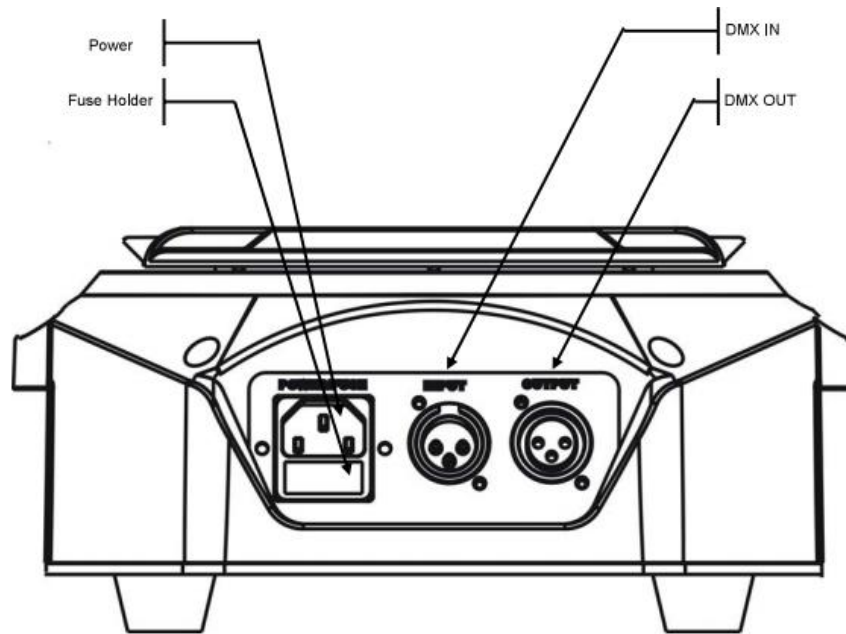


OVERVIEW & PHYSICAL DIMENSIONS



**DIMENSIONS: L25cm\*W25.5cm\*H36cm 6 kg/ L9.84in\*W10.04in\*H14.17in 13.23 lbs**





---

## MAIN FEATURES

---

- 36 X 3 WATT RGB LEDS
- PAN: 540 / TILT 270
- VARIABLE ELECTRONIC SHUTTER (STROBE)
- VARIABLE MOTORIZED FOCUS
- VARIABLE ELECTRONIC DIMMING (0-100%)
- RGB MIXING (12X 3 WATT RED, 12X 3 WATT GREEN, 12X 3 WATT BLUE)
- REMOTE FIXTURE RESET & VECTOR SPEED CHANNEL
- BUILT-IN MACROS VIA DMX (AUTOMATED & SOUND)
- STANDARD DMX-512 COMMUNICATION PROTOCOL



**DMX CONTROL FUNCTION**

THIS FIXTURE HAS A 12 CHANNEL MODE.

| 12 CHANNEL MODE |         |                       |
|-----------------|---------|-----------------------|
| Channel         | Value   | Function              |
| 1               | 000-255 | Pan                   |
| 2               | 000-255 | Tilt                  |
| 3               | 000-255 | Speed (Fast-Slow)     |
| 4               | 000-255 | XY Macros             |
| 5               | 000-255 | XY Macros (Fast-Slow) |
| 6               | Strobe  |                       |
|                 | 000-008 | No Function           |
|                 | 009-016 | Open                  |
|                 | 017-249 | Strobe (Slow-Fast)    |
|                 | 250-255 | Open                  |
| 7               | Dimmer  |                       |
|                 | 000-255 | Closed-Open           |
| 8               | 000-255 | Red                   |
| 9               | 000-255 | Green                 |
| 10              | 000-255 | Blue                  |
| 11              | 000-255 | LED Macros            |
| 12              | 000-255 | Reset                 |



MENU MAP

|                   |   |
|-------------------|---|
| <b>MODE/ESC :</b> | Call the main menu, or escape the current menu (i.e. return to the upper menu and give up the selected item or parameter).            |
| <b>UP :</b>       | Browse the menu item forward or increase the parameter.   |
| <b>DOWN :</b>     | Browse the menu item backward or decrease the parameter.  |
| <b>ENTER :</b>    | Confirm the selected item or parameter (i.e. enter the next menu, or escape the current menu and save the selected item or parameter) |

**MODE** DMX MODE: Select channel 1 - channel 512

|               |                                   |
|---------------|-----------------------------------|
| <b>G-01</b> → | <b>G-01</b> Master mode: Master 1 |
| →             | <b>G-02</b> Master mode: Master 2 |
| →             | <b>G-03</b> Master mode: Master 3 |
| →             | <b>G-04</b> Master mode: Master 4 |
| →             | <b>G-05</b> Master mode: Master 5 |
| →             | <b>G-06</b> Master mode: Master 6 |
| →             | <b>G-07</b> Master mode: Master 7 |
| →             | <b>G-08</b> Master mode: Master 8 |

|               |                                 |
|---------------|---------------------------------|
| <b>S-01</b> → | <b>S-01</b> Slave mode: slave 1 |
| →             | <b>S-02</b> Slave mode: slave 2 |
| →             | <b>S-03</b> Slave mode: slave 3 |
| →             | <b>S-04</b> Slave mode: slave 4 |

|               |                                |
|---------------|--------------------------------|
| <b>P-0F</b> → | <b>P-0F</b> Pan mode: Positive |
| →             | <b>P-0N</b> Pan mode: Negative |

|               |                                 |
|---------------|---------------------------------|
| <b>T-0F</b> → | <b>T-0F</b> Tilt mode: Positive |
| →             | <b>T-0N</b> Tilt mode: Negative |

|               |                                    |
|---------------|------------------------------------|
| <b>D 15</b> → | <b>D 15</b> LED READOUT: Default   |
| →             | <b>RD 15</b> LED READOUT: Inverted |

**REST** RESET

**LOAD** RESTORE



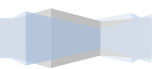
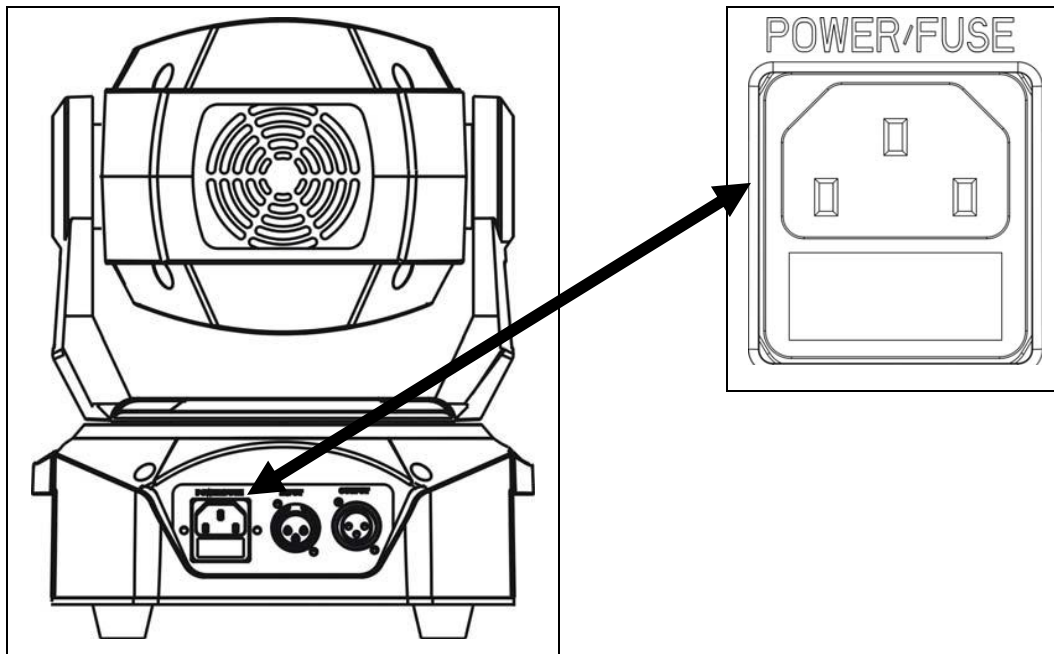


## FUSE REPLACEMENT

---

FUSE IS LOCATED IN A COMPARTMENT JUST BELOW THE IEC CONNECTOR. A SPARE FUSE IS INCLUDED INSIDE THE COMPARTMENT.

WITH A FLAT HEAD SCREWDRIVER, WEDGE THE FUSE HOLDER OUT FROM ITS HOUSING. REMOVE THE OLD FUSE FROM THE HOLDER AND REPLACE WITH A 3A 250V FUSE. REPLACE THE FUSE HOLDER. RECONNECT POWER.



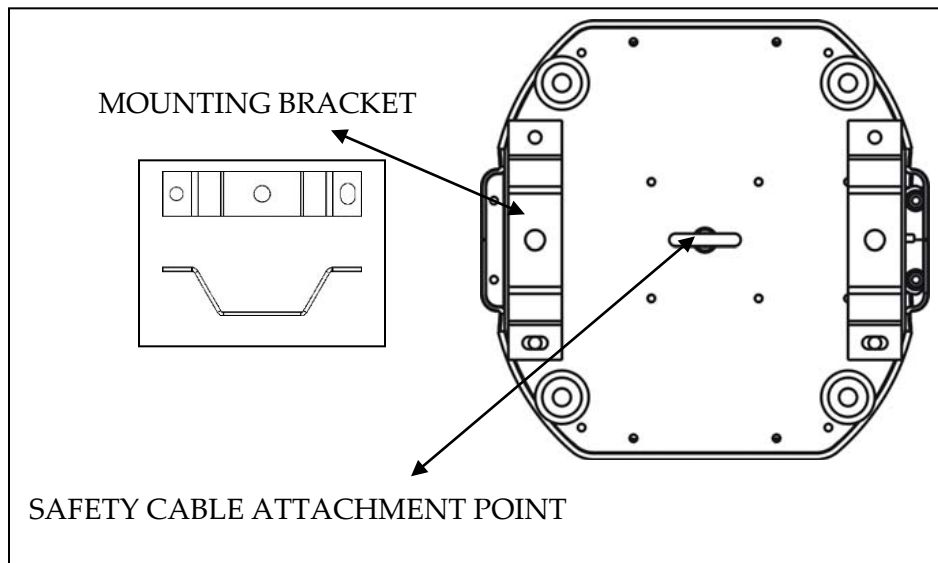
## PHYSICAL INSTALLATION

THIS FIXTURE MAY BE PLACED ON A HORIZONTAL SURFACE SUCH AS A STAGE OR CLAMPED TO A TRUSS OR SIMILAR RIGGING STRUCTURE IN ANY ORIENTATION USING A RIGGING CLAMP. USE A "C" OR "O" TYPE CLAMP. (CLAMPS SOLD SEPERATELY).

WHEN SUSPENDING THE FIXTURE ABOVE GROUND LEVEL, VERIFY THAT THE STRUCTURE CAN HOLD AT LEAST 10 TIMES THE WEIGHT OF ALL INSTALLED DEVICES.

NEVER INSTALL IN A LOCATION WHERE FIXTURE WILL BE EXPOSED TO RAIN, HIGH HUMIDITY, EXTREME TEMPERATURE CHANGES, OR HAVE RESTRICTED VENTILATION.

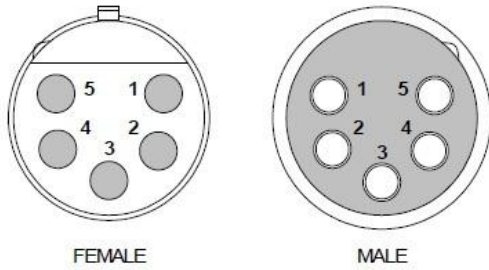
VERIFY THAT ALL EXTERNAL COVERS AND RIGGING HARDWARE ARE SECURELY FASTENED AND USE AN APPROVED MEANS OF SECONDARY ATTACHMENT SUCH AS A SAFETY CABLE.



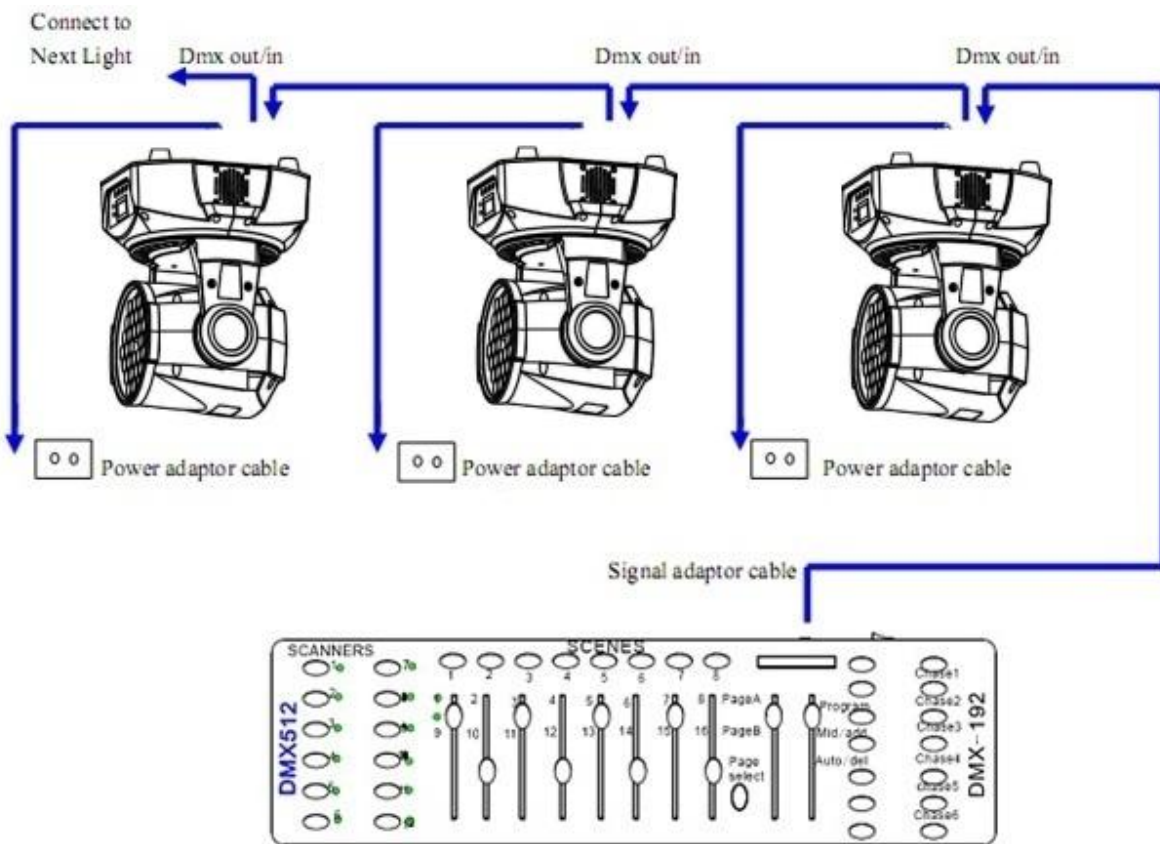
XLR

XLR CABLE

THE STANDARD CONNECTION IS VIA 5 PIN XLR WIRED AS BELOW:



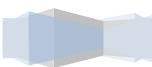
| XLR   | Signal        |
|-------|---------------|
| Pin 1 | Signal Common |
| Pin 2 | DMX Data -    |
| Pin 3 | DMX Data +    |
| Pin 4 | NC            |
| Pin 5 | NC            |



TROUBLESHOOTING

| Problem  | CHECK  |
|--|--|
| <b>Fixture does not light</b>                    | Make certain it is plugged in to a viable power source.<br>Check the power switch? Is it on?<br>Check the fuse   |
| <b>DMX isn't functioning</b>                     | Is the DMX cable connected correctly?<br>Check if the DMX controller is outputting DMX<br>Check the DMX Cable for damage<br>Isolate fixture and test using DMX tester & different cable.<br>Check if the lights is in DMX mode (d001)    |
| <b>Display not on</b>                            | Connect to power. Check if the switch and the transformer has power<br>Check if the power input of the IC board is normal<br>Check the connections to the display<br>Change the main board to see if it is normal.<br>Change the display |
| <b>LEDs do not light</b>                         | Connect to power. Check if the switch and the transformer has power<br>Check if the power input of the IC board is normal<br>Check the connections to the display<br>Change the main board to see if it is normal.<br>Change the display |
| <b>Some of the LEDs do not light</b>             | Check if any LEDs are loose<br>Use a multimeter to check the LEDs<br>Check whether current limiting resistor is normal or not<br>Check constant current IC is normal or not (compared with the normal IC)                                |
| <b>Single color LED always bright/not bright</b> | Check the switches to ensure they are set correctly.<br>Change the IC control board  |

NOTE: ONLY PROFESSIONALS SHOULD TROUBLESHOOT & REPAIR THE FIXTURE.



## TECHNICAL SPECIFICATION

---

- RATED VOLTAGE: 100~240V
- RATED FREQUENCY : 50/60HZ
- POWER : 150W
- LED: 36 X 3 WATT RGB LEDS
- COLOR MIXING : RGB
- BEAM ANGLE : 25°
- PAN : 540°
- TILT : 270°
- CHANNELS : 12
- CONTROL MODE : DMX512, MASTER/SLAVE, SOUND ACTIVATED
- IP RATING : IP20
- WORKING ENVIRONMENT : INDOOR
- MAXIMUM ENVIRONMENT TEMPERATURE : -+40°C/104°F
- DIMENSIONS : L25CM\*W25.5CM\*H36CM / 9.84IN\*10.04IN\*14.17IN
- WEIGHT : 3 KG/6.62 LBS

